

Ионекс

Тольятти: (8482) 25-82-40, (8482) 25-82-85, (927) 775-49-65, (906) 128-12-68, tlt@ionexedm.ru

Москва: (499) 782-61-17, (916) 627-56-24, (926) 300-12-42, msk@ionexedm.ru

Томск: (3822) 23-16-80, (909) 543-16-80, tomsk@ionexedm.ru

www.ionexedm.ru

CLAMPING SYSTEM ITS

Pneumatic holders are made in version with or without air-cleaning of Z axis reference areas.

Letter „C“ in the name of the holder means automatic cleaning.

It is necessary to use hand-operated valve PM5C to control.



WPU100D-ITS

Pneumatic holder ITS50/100
Fitting on a machine table with screws M10, pitch 125mm
Standard control: air-gun
Dimensions: 150x110x56mm
Clamping power: 9000N
Material INOX, hardened 54°HRC

Available in version C
(WPU100DC-ITS)

Accessories: hand-operated valve PM5 or PM5C



PM5



PM5C

Manual valve PM5 / PM5C for pneumatic holders



WPU56D-ITS

Pneumatic holder ITS50
Fitting on a machine table with screws M10, pitch 80mm
Standard control: air-gun
Dimensions: 110x80x66mm
Clamping power: 4000N
Material INOX, hardened 54 °HRC

Accessories: hand-operated valve PM5 or PM5C



WPU56DC-ITS

Pneumatic holder ITS50 with air-cleaning of Z axis reference
Fitting on a machine table with screws M10, pitch 80mm
Standard control: manual valve
Dimensions: 110x80x66mm
Clamping power: 4000N
Material INOX, hardened 54 °HRC



WPU100-90- ITS

Vertical-horizontal pneumatic holder ITS50/100
Distance of horizontal axis from the base is 60mm
Error of clamps' perpendicularity axis up to 0,005/100mm
Standard control: air-gun
Fitting on a machine table: clamps
Dimensions: 61x100x115mm
Clamping power: 2x9000N
Material INOX, hardened 54 °HRC

Available in version C
(WPU100-90C-ITS)

Accessories: hand-operated valve PM5 or PM5C



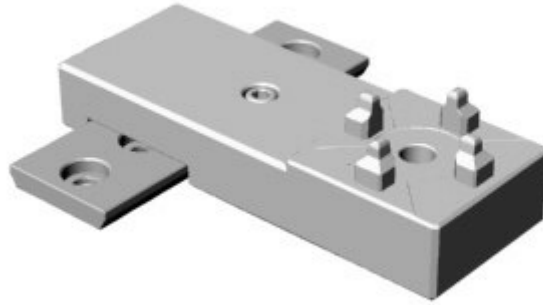
Ионекс

Тольятти: (8482) 25-82-40, (8482) 25-82-85, (927) 775-49-65, (906) 128-12-68, tlt@ionexedm.ru

Москва: (499) 782-61-17, (916) 627-56-24, (926) 300-12-42, msk@ionexedm.ru

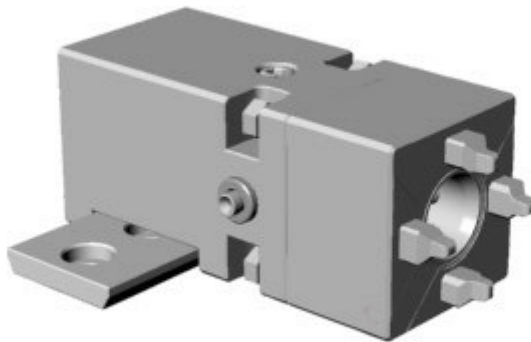
Томск: (3822) 23-16-80, (909) 543-16-80, tomsk@ionexedm.ru

www.ionexedm.ru



WMU56V-ITS SET

Vertical manual holder ITS50 for WEDM
Direct fitting on a machine table with screws M8, pitch 25mm
Dimensions: 152x56x26mm
Material INOX, hardened 54 °HRC



WPU56H-ITS SET

Horizontal pneumatic holder ITS50 for WEDM
Direct fitting on a machine table with screws M8, pitch 25mm
Standard control: air-gun
Dimensions: 126x56x56mm
Clamping power: 4000N
Material INOX, hardened 54 °HRC

Available in version C
(WPU56HC-ITS)

Accessories: hand-operated valve PM5 or PM5C

MEASURING POINTERS FOR EDM



WSK-ITS

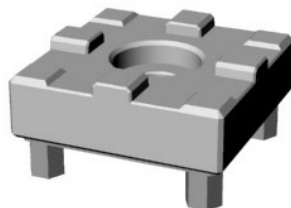
Pointers with gentle setting to zero and changeable ball contacts
Material INOX, hardened 54 °HRC
Dimensions: 54x54x130



MS4

Measuring ball contact for WSK
Contact stem is made of hardmetal
Delivered diameters: 2,4,6 mm.
Dimension: L=130
Material INOX

ADAPTERS

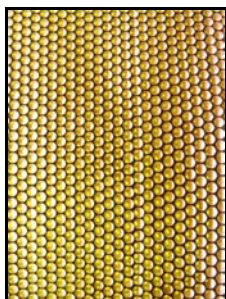


WR54ITS-MACRO

Adapter from system ITS into system MACRO

Dimensions: 54x54x30

Material INOX, hardened 54°HRC



Ионекс

Тольятти: (8482) 25-82-40, (8482) 25-82-85, (927) 775-49-65, (906) 128-12-68, tlt@ionexedm.ru

Москва: (499) 782-61-17, (916) 627-56-24, (926) 300-12-42, msh@ionexedm.ru

Томск: (3822) 23-16-80, (909) 543-16-80, tmsk@ionexedm.ru

www.ionexedm.ru

CLAMPING PINS ITS



WUC-F/A

Clamping pin ITS

Dimension: d20x45

Material INOX, hardened 50°HRC

HOLDERS WQM

for electrodes of square profile 15x15 or 25x25



WQM15-ITS

Holder for profile 15x15mm
Axis distance of the quadrant's wall is $7,50 \pm 0,003$
Reference height Z is $40,00 \pm 0,003$
Material INOX, hardened 54°HRC



WQM25-ITS

Holder for profile 25x25mm
Axis distance of the quadrant's wall is $12,50 \pm 0,003$
Reference height Z is $40,00 \pm 0,003$
Material INOX, hardened 54°HRC

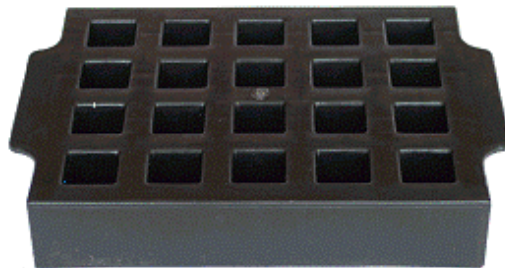


Copper semi-products for holders WQM

Dimensions 15x15x75 or 25x25x90

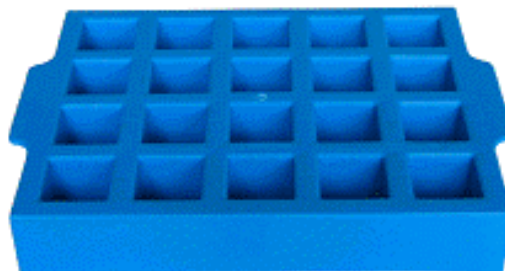


Graphite semi-products for holders WQM



E-BOX20

Plastic box for 20pc of electrodes 15x15



E-BOX25

Plastic box for 20pc of electrodes 25x25

COLLET CHUCKS WER

for electrodes of circular profile and tube electrodes



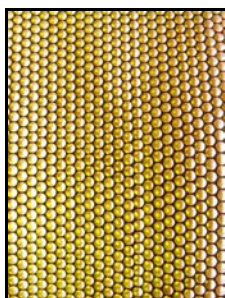
WER16-ITS

Collet chuck for collets ER16
Axial alignment max. error up to 0,002
Material INOX, hardened 54 °HRC
Nut is made of case-hardening steel



WER32-ITS

Collet chuck for collets ER32
Axial alignment max. error up to 0,002
Material INOX, hardened 54 °HRC
Nut is made of case-hardening steel



Ионекс

Тольятти: (8482) 25-82-40, (8482) 25-82-85, (927) 775-49-65, (906) 128-12-68, tlt@ionexedm.ru
Москва: (499) 782-61-17, (916) 627-56-24, (926) 300-12-42, mск@ionexedm.ru
Томск: (3822) 23-16-80, (909) 543-16-80, tomsk@ionexedm.ru

www.ionexedm.ru

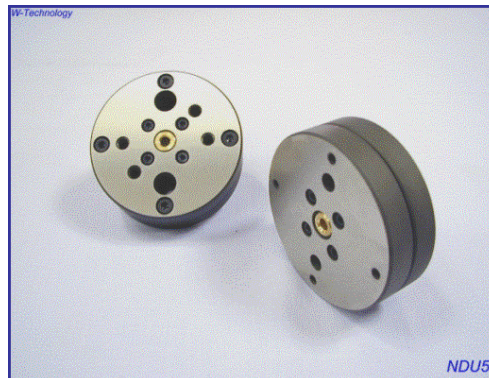
ND50 – tilting board with indexing



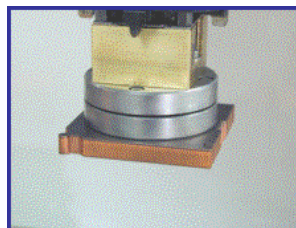
ND50 Q26

For easy gripping and setting of electrode angle,
for example when machining tunnel inflows.
The system is equipped with hydraulic brake so as to provide for required position.
Scale with indexing by 1° makes angle positioning easy and fast.
Electrodes are clamped into the prismatic hole 15x15mm.
The angle is possible to set on a scale 0° - 160°. Max. load: 5kg

NDU5 – universal tilting board



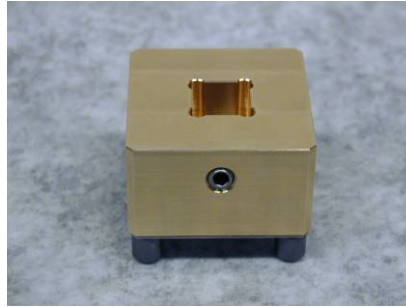
Makes electrode aligning easier – plane, perpendicularity.
Electrodes and different adapters can be fastened to the board, or
collet chuck ER32.
Board is fastened to pallets ITS50 WT-Uniplatte.
Pitch of fixing holes for screws M6 is 40mm
Setting range: $\pm 1^\circ$
Max. load: 5kg



BRASS PALLETS ITS50



WT-Uniplatte



WT-Prisrund 15



WT-Prisrund 26



WT-Unihalter 10



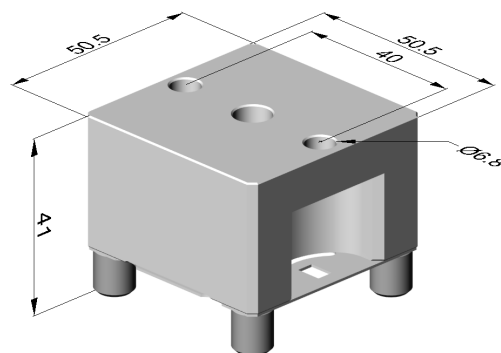
WT-Unihalter 20

WT 001.000

Uniplatte



Paleta ITS50
EN AW7075 slitina AL

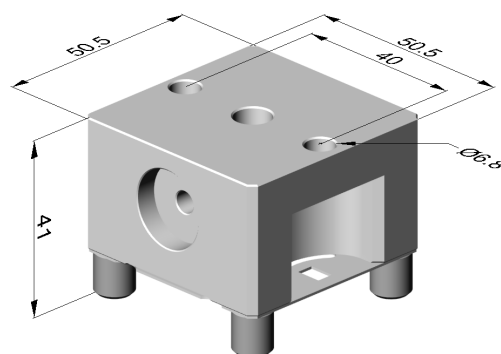


WT 001.100

Uniplatte



Paleta ITS50
EN AW7075 slitina AL
EWIS

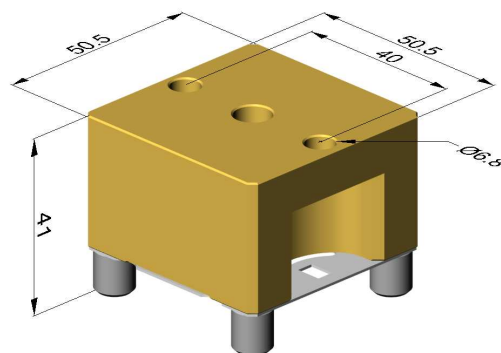


WT 001.800

Uniplatte



Paleta ITS50
MS58 mosaz

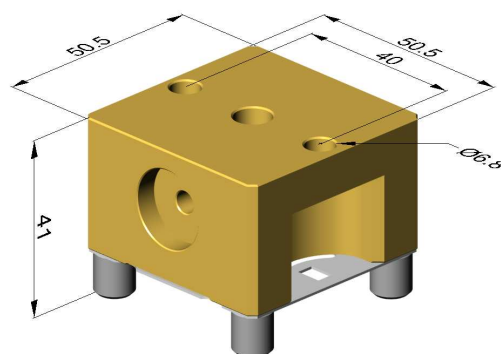


WT 001.900

Uniplatte



Paleta ITS50
MS58 mosaz
EWIS

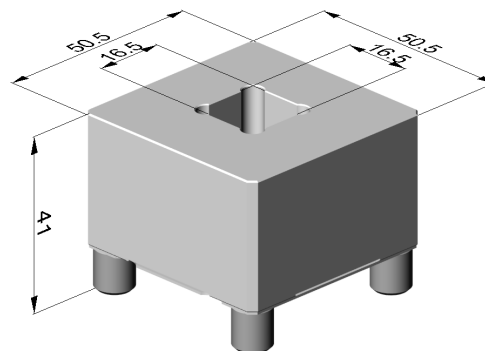


WT 002.000

Prisrund 15



Paleta ITS50
EN AW7075 slitina AL

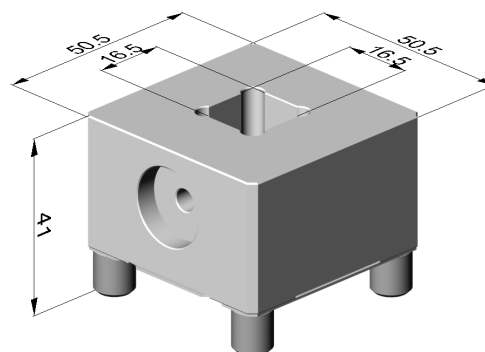


WT 002.100

Prisrund 15



Paleta ITS50
EN AW7075 slitina AL
EWIS

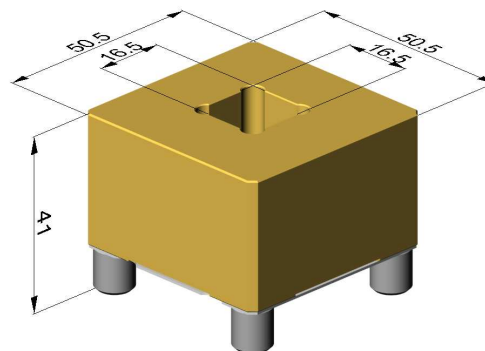


WT 002.800

Prisrund 15



Paleta ITS50
MS58 mosaz

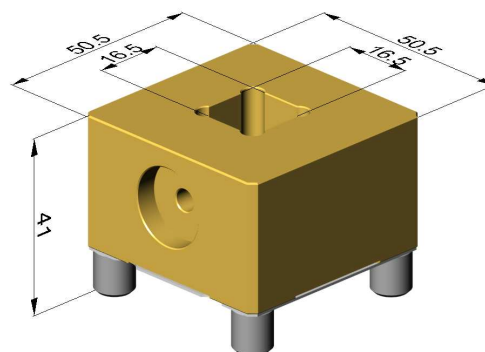


WT 002.900

Prisrund 15



Paleta ITS50
MS58 mosaz
EWIS

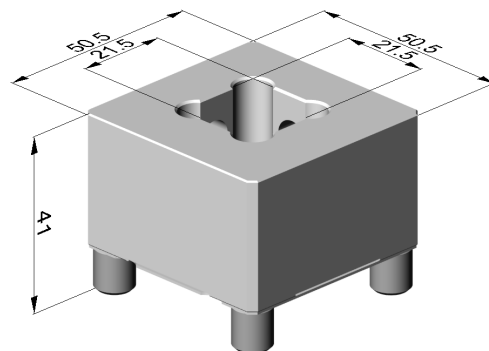


WT 003.000

Prisrund 20



Paleta ITS50
EN AW7075 slitina AL

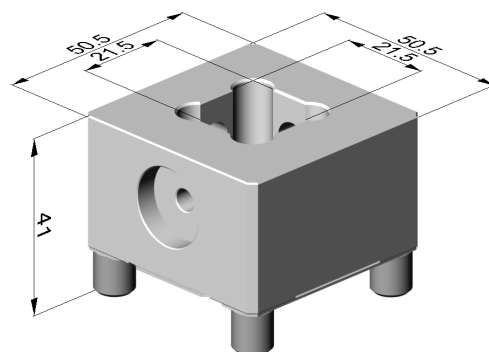


WT 003.100

Prisrund 20



Paleta ITS50
EN AW7075 slitina AL
EWIS

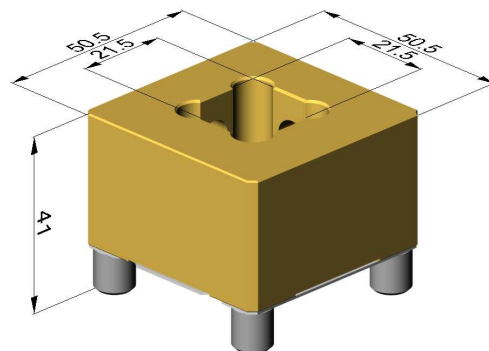


WT 003.800

Prisrund 20



Paleta ITS50
MS58 mosaz

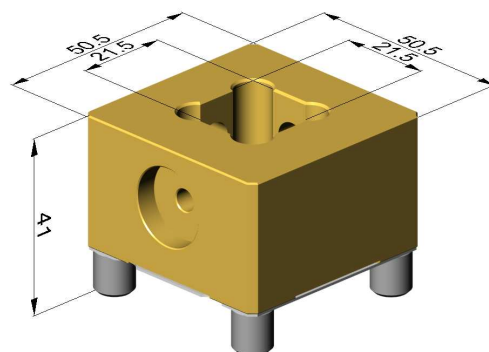


WT 003.900

Prisrund 20



Paleta ITS50
MS58 mosaz
EWIS

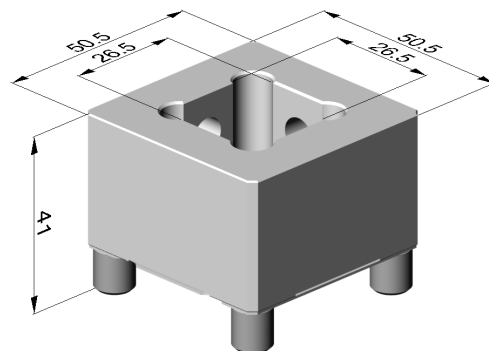


WT 004.000

Prisrund 26



Paleta ITS50
EN AW7075 slitina AL

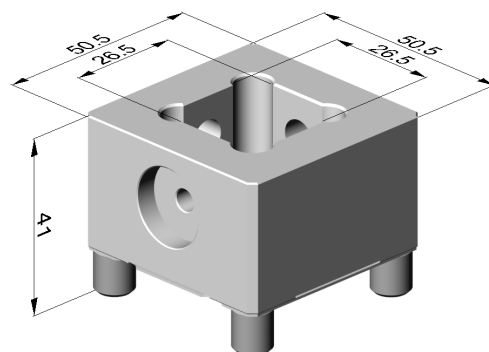


WT 004.100

Prisrund 26



Paleta ITS50
EN AW7075 slitina AL
EWIS

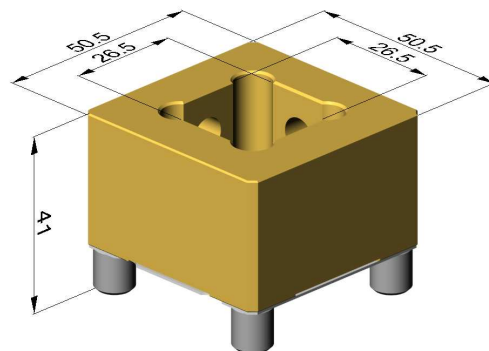


WT 004.800

Prisrund 26



Paleta ITS50
MS58 mosaz

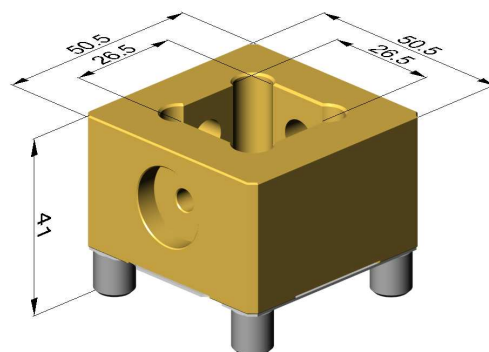


WT 004.900

Prisrund 26



Paleta ITS50
MS58 mosaz
EWIS

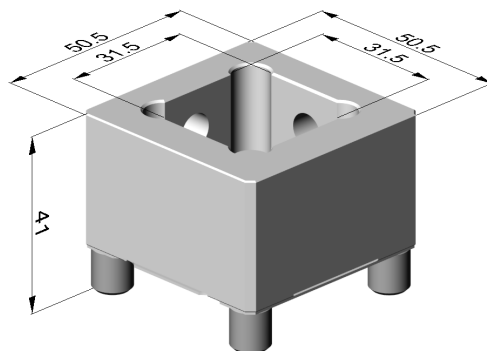


WT 005.000

Prisrund 30



Paleta ITS50
EN AW7075 slitina AL

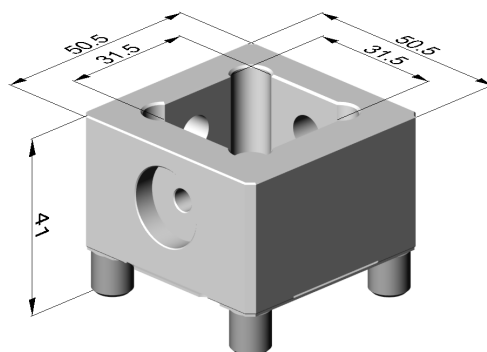


WT 005.100

Prisrund 30



Paleta ITS50
EN AW7075 slitina AL
EWIS

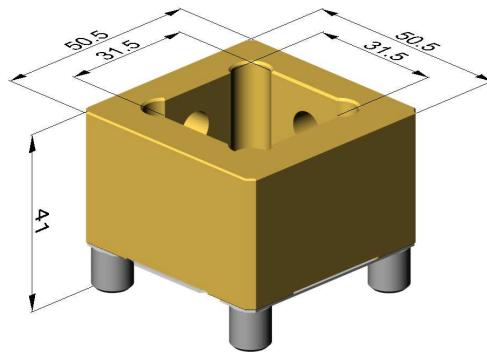


WT 005.800

Prisrund 30



Paleta ITS50
MS58 mosaz

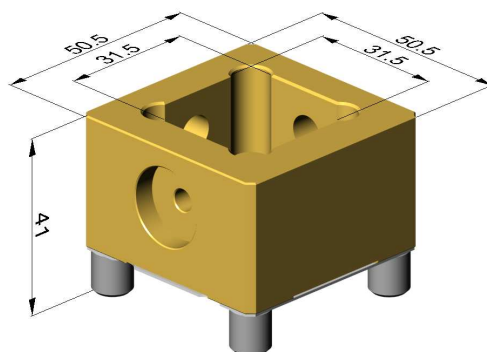


WT 005.900

Prisrund 30



Paleta ITS50
MS58 mosaz
EWIS

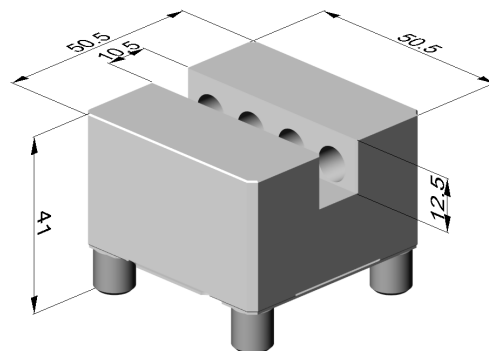


WT 006.000

Unihalter 10



Paleta ITS50
EN AW7075 slitina AL

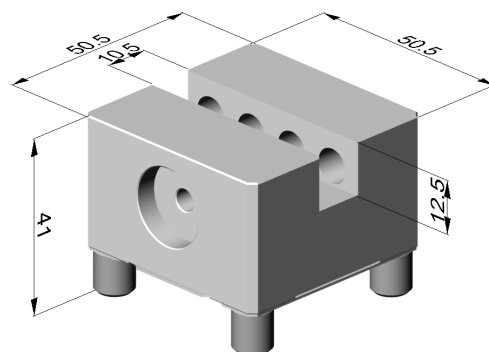


WT 006.100

Unihalter 10



Paleta ITS50
EN AW7075 slitina AL
EWIS

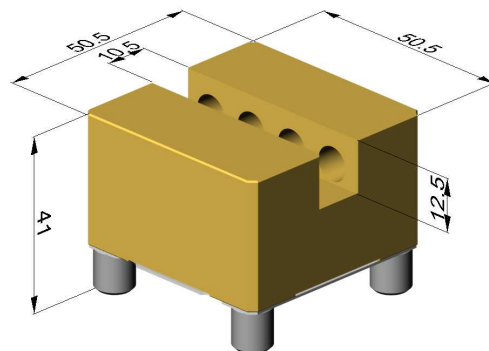


WT 006.800

Unihalter 10



Paleta ITS50
MS58 mosaz

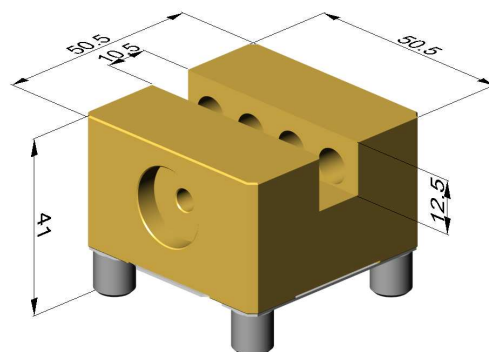


WT 006.900

Unihalter 10



Paleta ITS50
MS58 mosaz
EWIS

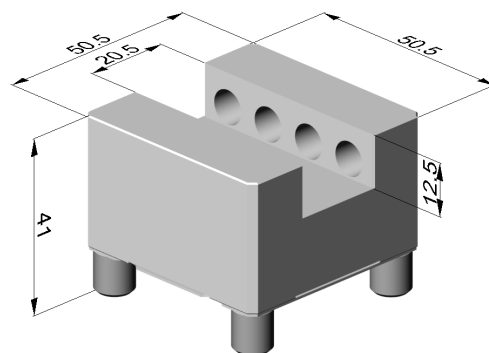


WT 007.000

Unihalter 20



Paleta ITS50
EN AW7075 slitina AL

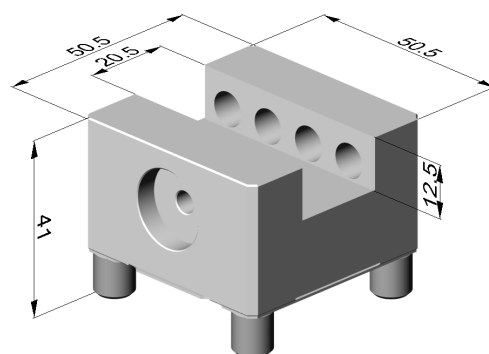


WT 007.100

Unihalter 20



Paleta ITS50
EN AW7075 slitina AL
EWIS

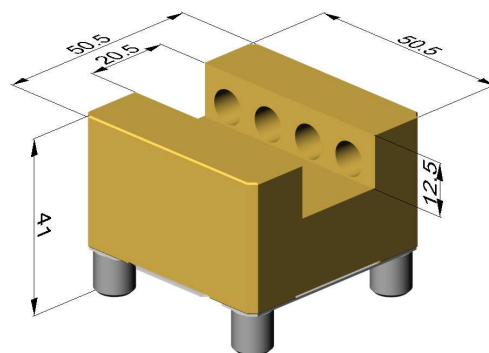


WT 007.800

Unihalter 20



Paleta ITS50
MS58 mosaz

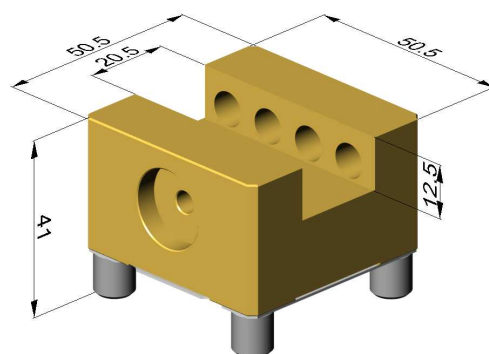


WT 007.900

Unihalter 20



Paleta ITS50
MS58 mosaz
EWIS

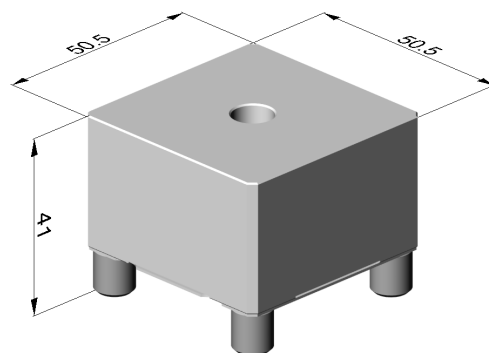


WT 008.000

Uniblack



Paleta ITS50
EN AW7075 slitina AL

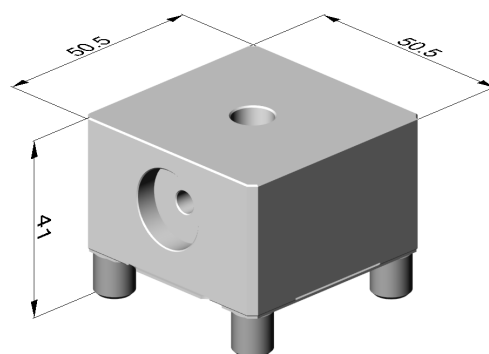


WT 008.100

Uniblack



Paleta ITS50
EN AW7075 slitina AL
EWIS

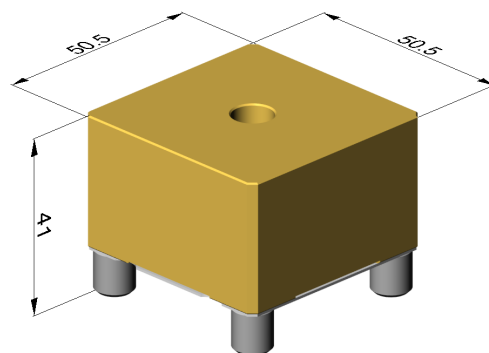


WT 008.800

Uniblack



Paleta ITS50
MS58 mosaz

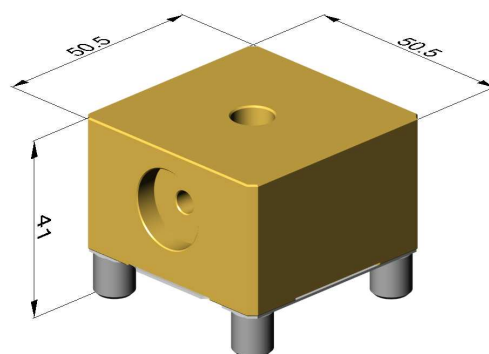


WT 008.900

Uniblack



Paleta ITS50
MS58 mosaz
EWIS

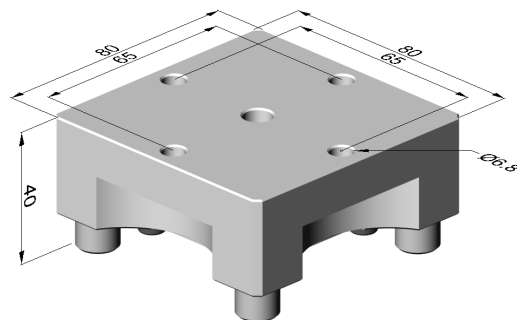


WT 010.000

Uniplatte 80



Paleta ITS50
EN AW7075 slitina AL

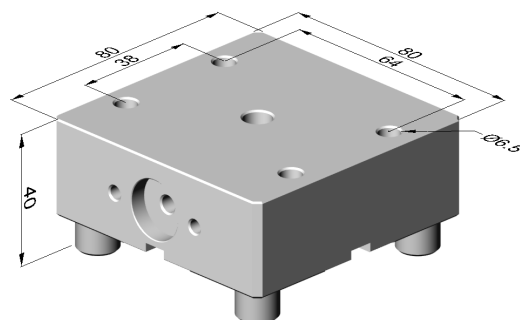


WT 010.100

Uniplatte 80



Paleta ITS50
EN AW7075 slitina AL
EWIS/Zwicker

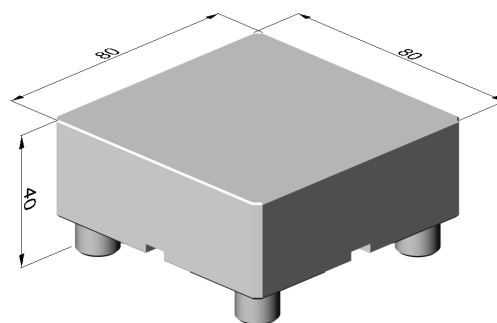


WT 014.000

Uniblank 80



Paleta ITS50
EN AW7075 slitina AL

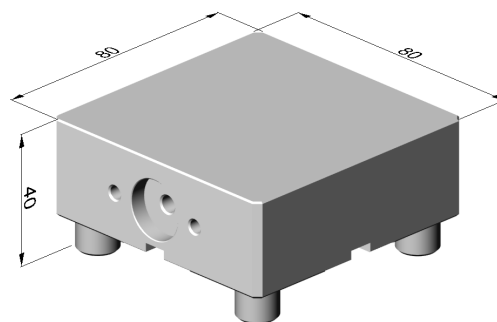


WT 014.100

Uniblank 80



Paleta ITS50
EN AW7075 slitina AL
EWIS/Zwicker

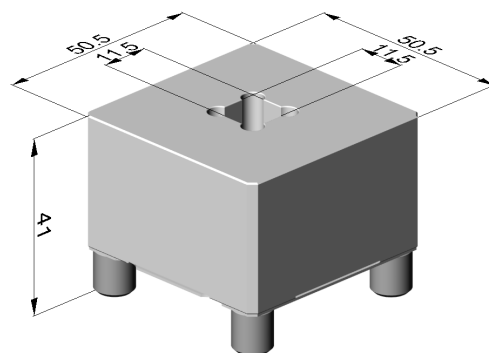


WT 0011.000

Prisrund 10



Paleta ITS50
EN AW7075 slitina AL

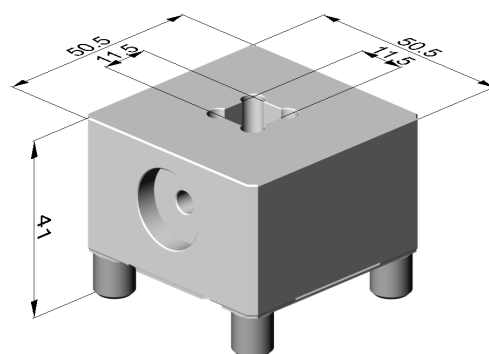


WT 011.100

Prisrund 10



Paleta ITS50
EN AW7075 slitina AL
EWIS

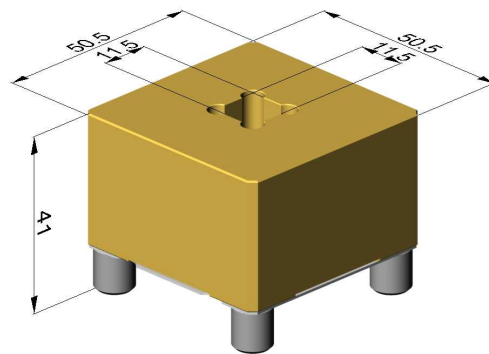


WT 011.800

Prisrund 10



Paleta ITS50
MS58 mosaz

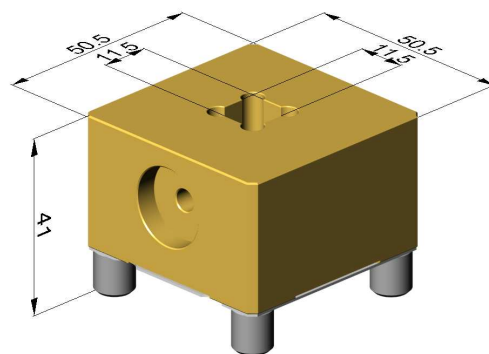


WT 011.900

Prisrund 10



Paleta ITS50
MS58 mosaz
EWIS

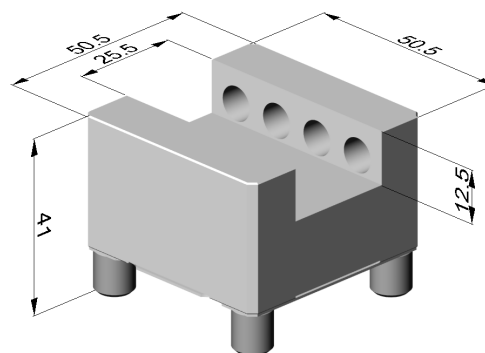


WT 012.000

Unihalter 25



Paleta ITS50
EN AW7075 slitina AL

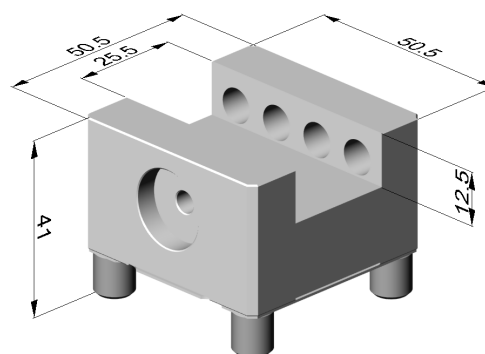


WT 012.100

Unihalter 25



Paleta ITS50
EN AW7075 slitina AL
EWIS

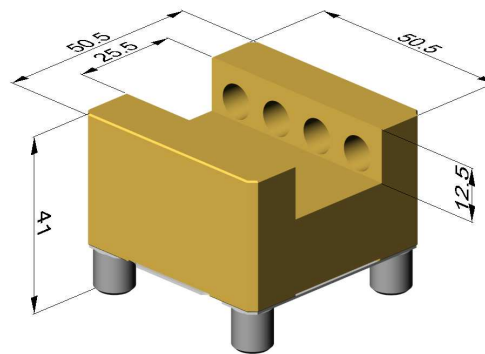


WT 012.800

Unihalter 25



Paleta ITS50
MS58 mosaz

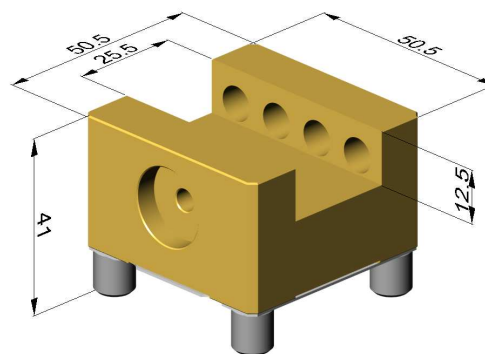


WT 012.900

Unihalter 25



Paleta ITS50
MS58 mosaz
EWIS



BRASS PALLETS ITS50 + BOX16

Box made of PP with handrails for safe handling



WT-Uniplatte + BOX16



WT-Prisrund 15 + BOX16



WT-Prisrund 26 + BOX16



WT-Unihalter 10 + BOX16



WT-Unihalter 20 + BOX16